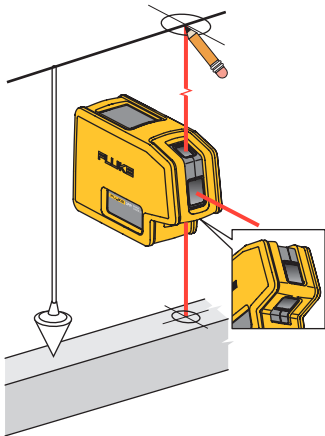
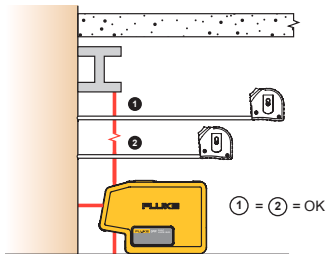
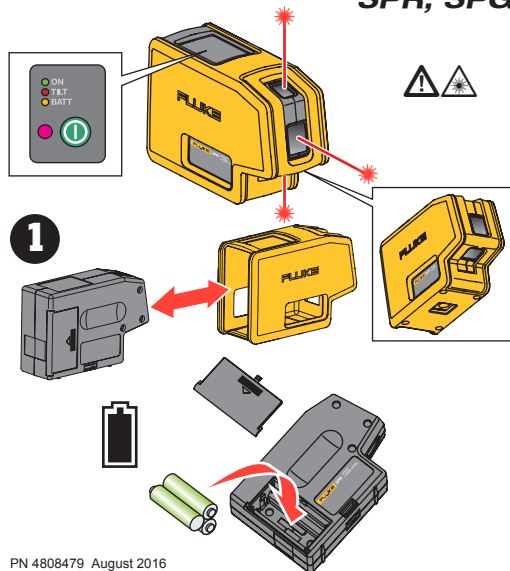


**6****7**

Quick  
Reference  
Guide

FLUKE®

## Point Laser Levels 3PR, 3PG



PN 4808479 August 2016  
© 2016 Fluke Corporation. All rights reserved.

